



Top entry circular spigot



Aerosol feed



Low-leakage shut-off damper, manually adjustable



Damper blade for volume flow rate balancing



Tested to VDI 6022

# Particulate filter air terminal devices

## TFC



### For critical air cleanliness and critical hygiene requirements, suitable for ceiling installation

Ceiling mounted particulate filters as a final filter stage with Mini Pleat filter panels for the separation of suspended particles. Used in medicine, biology, the pharmaceuticals industry, and sensitive technical areas.

- Easy, time-saving and secure filter change, can be completed by one person due to special press-in frame
- Quick and easy diffuser fixing with central screw and spring
- Robust, welded construction
- With or without optional sealing integrity test facility
- Compact construction, suitable for low ceilings, integration with all clean room ceiling systems from various manufacturers
- Various diffusers to ideally meet individual requirements
- Horizontal (circular, rectangular) or vertical (circular) connection
- Choice of low-leakage shut-off damper or volume flow limiter for horizontal connection
- Equipment for differential pressure measurement and particle sampling for measurements
- Filter element can be easily accessed from the clean air side even after installation thanks to a removable cross bar
- For air cleanliness classes 5 to 8 according to ISO 14644-1
- Meets the hygiene requirements of VDI 6022
- Leakage class: EN 1886 L1, EN 15727 class D

General information	2	With side entry rectangular spigot	12
Function	4	Constructions	13
Specification text	5	Type of ceiling	15
Order code	6	Air terminal devices	17
Variants	8	Suspension/measurement points	19
With side entry circular spigot	9	Dimensions	22
With top entry circular spigot	11		

## General information

### Application

- Particulate filter air terminal device for ceiling installation as a final filter stage and for air distribution
- Fitting of filter elements for the separation of suspended particles such as aerosols, toxic dusts, viruses or bacteria from the supply or extract air.

### Special characteristics

- Compact construction
- Easy to use
- High operational reliability

### Classification

- Hygiene tested to VDI 6022
- SC, SCH, SCV, SCM, SCD, SCA, TC, TCM, TCA, SR

### Nominal sizes

- 15.7, 19.7, 23.6, 24.6, 26.8, 32.5 in

### Variants

- SC: Side entry circular spigot
- SCH: Side entry circular spigot, manually adjustable shut-off damper
- SCE: Side entry circular spigot, shut-off damper with electric actuator 24 – 240 V AC
- SCV: Side entry circular spigot, volume flow limiter
- SCM: Side entry circular spigot, damper blade for volume flow rate balancing
- SCD: Side entry circular spigot, recessed
- SCA: Side entry circular spigot, aerosol feed
- TC: Top entry circular spigot
- TCM: Top entry circular spigot, damper blade for volume flow rate balancing
- TCA: Top entry circular spigot, aerosol feed
- SR: Side entry rectangular spigot

### Constructions

- G: Gel seal (frame depths 3.6 - 4.1 in)
- CF: Continuous seal or flat seal (frame depths 3.1 - 3.5 in)
- CFL: Continuous seal or flat seal (frame depth 5.9 in) FT:
- Flat seal (frame depth 3.1 in)
- FTL: Flat seal (frame depth 5.9 in)

### Casing material

- SPC: Steel, powder-coated RAL 9010, pure white
- STA: Stainless steel (only for SC, TC, SR)

### Parts and characteristics

- Electric actuator: mains connection 24 – 240 V, 50 Hz
- Volume flow limiter: factory set to a reference flow rate, can be adjusted within a volume flow rate range of > 5 : 1

### Air terminal devices

- ADLQ: Ceiling diffuser
- DLQ: Ceiling diffuser
- DLQL: Ceiling swirl diffuser with baffle element made of acoustic fleece
- LF: Ceiling diffuser
- FD: Ceiling swirl diffuser
- TDF: Ceiling swirl diffuser
- VDWF: Ceiling swirl diffuser
- PCD: PROCONDIF® diffuser
- AIRNAMIC: Ceiling swirl diffuser

### Options

- ED: External diffuser
- ID: Internal diffuser
- CC: Clip-in tile ceiling
- D: Spigot diameter
- T: Top suspension and measurement points
- S: Side suspension and measurement points
- FC: With supports to carry a false ceiling, measurement points at the top

### Useful additions

- Mini Pleat filter panels (MFP) or Mini Pleat filter panels for clean rooms (MFPCR)
- Suitable filter elements to be ordered separately

### Construction features

- Clamping mechanism with 4 fixing points for filter elements
- Sealing integrity test facility as an option
- Removable cross bar
- Measurement points for monitoring the differential operating pressure

### Material and surfaces

- Casing made of either sheet steel, powder-coated RAL 9010, pure white, or of stainless steel for variants SC, TC and SR
- Diffuser face made of sheet steel, powder-coated RAL 9010, pure white: DLQ, FD, TDF, VDWF, LF, DLQL; diffuser face made of anodised aluminium: ADLQ; diffuser face made of stainless steel: VDWF and LF.
- Diffuser made of sheet steel, powder-coated RAL 9010 (pure white, matt); type PCD with internal part made of PP plastic, RAL 9010 (pure white)
- Diffuser made of high-quality ABS plastic, RAL 9010 (pure white), type AIRNAMIC

### Standards and guidelines

- Hygiene meets the requirements of VDI 6022, VDI 3803, DIN 1946 Part 4, ÖNORM H 6021 and ÖNORM H 6020, SWKI VA 104-01 and SWKI 99-3, and EN 16798
- Leakage class: EN 1886 L1, EN 15727 class D

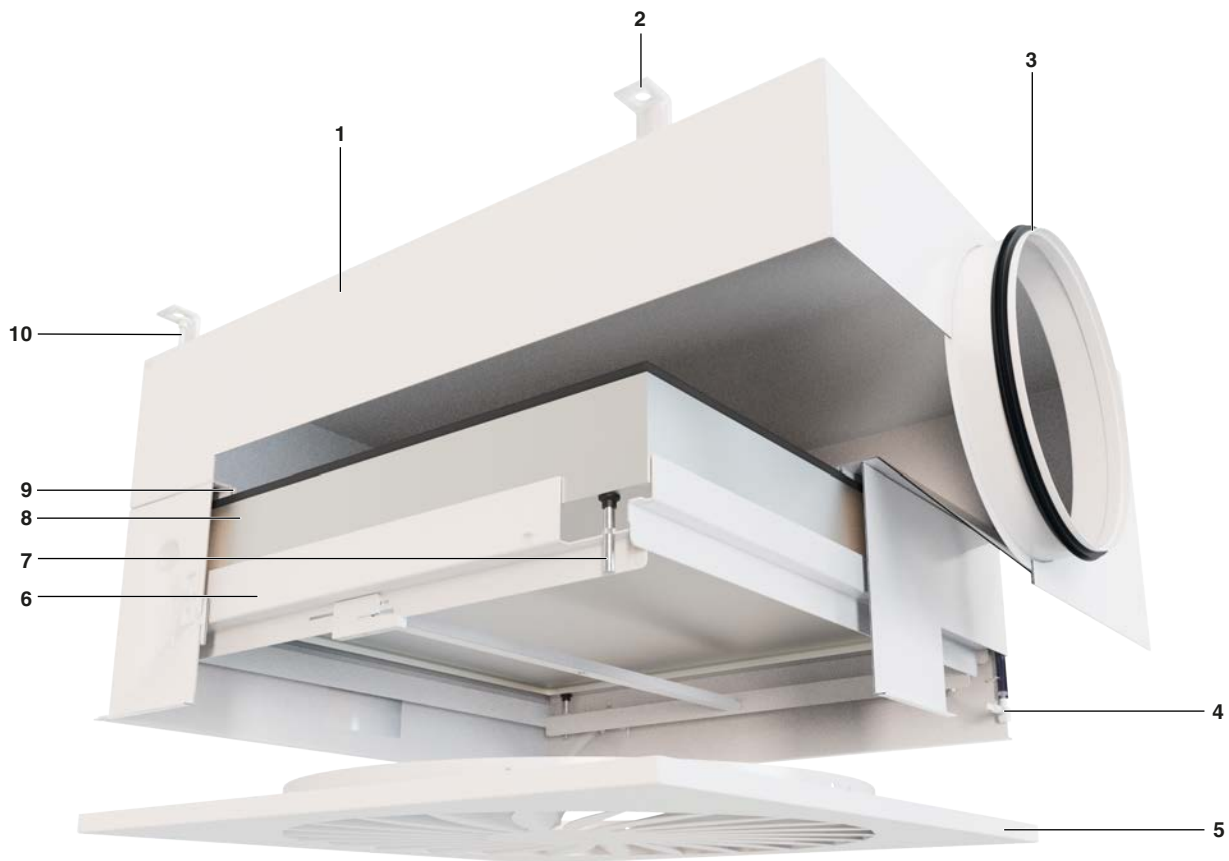
**Maintenance**

- Filter changes and maintenance on constructions with shut-off damper can be carried out without interruption to the system operation.
- Diffusers with central fixing can be easily removed for filter changes and cleaning.

**Installation and commissioning**

- Fitting of filter elements with a flat seal, continuous foam seal or gel seal
- The filter element is pressed into place with four easy-to-handle clamping screws
- Diffuser fixing with central screw and spring (fixing by others)

## Function



- 1 Casing
- 2 Fixing bracket
- 3 Spigot with lip seal
- 4 Internal measuring tube
- 5 Air terminal device
- 6 Clamping mechanism for the filter element
- 7 Clamping screws
- 8 Filter element
- 9 Filter fitting
- 10 Pressure measurement point

## Specification text

This specification text describes the general properties of the product. Texts for variants can be generated with our Easy Product Finder design programme.

### Specification text

Particulate filter air terminal device type TFC for ceiling installation as final filter stage and for air distribution. Fitting of filter elements for the separation of suspended particles such as aerosols, toxic dusts, viruses and bacteria from the supply or extract air. Casing with side entry or top entry circular spigot or with side entry rectangular spigot. As standard, ceiling mounted particulate filters with circular spigots are fitted with a lip seal. Choice of different constructions: low-leakage ('air-tight') shut-off damper, either manually adjustable or with electric actuator; volume flow limiter; damper blade for volume flow rate balancing; recessed side entry spigot; or aerosol feed. Casing without test groove for filters with flat seal, continuous foam seal or gel seal; casing with test groove as an option for filters with flat seal. Filter depths from 3.1 - 5.9 in. Sheet steel casing with RAL 9010 powder coating; stainless steel as an option. Casing and diffuser are suitable for installation into commercially available plasterboard and mineral fibre ceilings as well as in walk-on ceiling systems. Installation into clip-in tile ceilings is also possible (optional). External diffuser as standard, internal diffuser as an option for flush installation. Fixing on the cross bar with central screw and spring; can be removed so that the filter (downstream side) can be checked. The filter elements are pressed into place by an installation subframe with four clamping screws. As standard, the casings are fitted with an internal measuring tube and pressure measurement points for monitoring the differential operating pressure. As standard, the pressure measurement points are at the top, optionally at the side; in case of false ceiling installation the measurement points are at the

top. For the fitting of Mini Pleat filter panels with flat seal, continuous foam seal or gel seal. Leakage test for each casing. Leakage class L1 to EN 1886; leakage class D to EN 15727.

### Special features

- Compact construction
- Easy to use
- High operational reliability
- Suitable for filter elements with various seals and of various heights
- Easy diffuser fixing with screw and spring
- Fits various ceiling systems

### Materials and surfaces

- Casing made of either sheet steel, powder-coated RAL 9010, pure white, or of stainless steel for variants SC, TC and SR
- Diffusers made of sheet steel, powder-coated RAL 9010 (pure white): DLQ, FD, TDF, VDWF, LF, DLQL. Diffusers made of anodised aluminium: ADLQ. Diffusers made of stainless steel: VDWF and LF
- Diffuser made of sheet steel, powder-coated RAL 9010 (pure white, matt): PCD with internal part made of PP plastic, RAL 9010 (pure white)
- Diffuser made of high-quality ABS plastic, RAL 9010 (pure white): AIRNAMIC

### Constructions

- SPC: Steel, powder-coated RAL 9010, pure white
- STA: Stainless steel (only for SC, TC, SR)

## Order code

TFC – SC – CF – SPC – CC – ID – VDWF / 600 × 24 – 248 – 20 / T  
 1 2 3 4 5 6 7 8 9 10 11

### 1 Type

**TFC** Ceiling mounted particulate filter

### 2 Variant

**SC** Side entry, circular spigot

**SCH** SC with manually adjustable shut-off damper

**SCE** SC with electrical shut-off damper (24 – 240 V AC) **SCM**

SC with damper blade for volume flow rate balancing **SCV** SC with volume flow limiter

**SCD** SC with recessed spigot

**SCA** SC with aerosol feed

**TC** Top entry, circular spigot

**TCM** TC with damper blade for volume flow rate balancing

**TCA** TC with aerosol feed

**SR** Side entry, rectangular spigot

### 3 Filter fitting and construction

Without tightness test groove

**G** Filter with gel seal (frame depths 3.6 - 4.1 in)

**CF** Filter with continuous seal and flat seal (frame depths 3.1 - 3.5 in)

**CFL** Filter with continuous seal and flat seal (frame depth 5.9 in) (only for SC, SCM, SCA, TC, TCM, TCA, SR)

With tightness test groove

**FT** Filter with flat seal (frame depth 3.1 in)

**FTL** Filter with flat seal (frame depth 5.9 in) (only for SC, SCM, SCA, TC, TCM, TCA, SR)

### 4 Casing material

**SPC** Steel, powder-coated, RAL 9010 (pure white)

**STA** Stainless steel (only for SC, TC, SR)

### 5 Type of ceiling

No entry: standard

**CC** Clamping cassette (not for nominal size 32.5)

### 6 Position of air diffuser

**ED** external

**ID** internal (not for nominal size 32.5)

### 7 Air diffuser

No entry: none

Steel, powder-coated (SPC)

External diffuser (ED)

**ADLQ, DLQ, DLQL, LF, FD, TDF, VDWF, PCD, AIRNAMIC**

Internal diffuser (ID)

**LF, FD, TDF, VDWF**

Stainless steel (STA)

Internal or external diffuser (ID, ED)

**LF, VDWF**

### 8 Nominal size [in]

Without diffuser

**15.7, 19.7, 23.6, 24.6, 26.8, 32.5**

External diffuser (ED)

ADLQ, DLQ, DLQL, FD, TDF **15.7,**

**19.7, 23.6, 24.6, 26.8**

AIRNAMIC, PCD

**23.6, 24.6**

LF

**15.7, 19.7, 23.6, 24.6, 26.8, 32.5**

VDWF × 0.6

**15.7 × 0.6**

VDWF × 0.9

**19.7 × 0.9, 23.6 × 0.9, 24.6 × 0.9,**

**26.8 × 0.9**

VDWF × 1.9

**24.6 × 1.9**

VDWF × 2.1

**26.8 × 2.1**

VDWF × 2.8

**32.5 × 2.8**

Internal diffuser (ID)

LF, FD, TDF

**15.7, 19.7, 23.6, 24.6, 26.8**

VDWF × 0.6

**15.7 × 0.6**

VDWF × 0.9

**19.7 × 0.9, 23.6 × 0.9, 24.6 × 0.9,**

**26.8 × 0.9**

VDWF × 1.9

**24.6 × 1.9**

VDWF × 2.1

**26.8 × 2.1**

### 9 Spigot size [in]

Specify diameter

For variant SR

Specify size (width × height)

### 10 Flange width [in]

**0.4 – 6.2<sup>32</sup>**

**11 Suspension/measurement points**

- T** Suspension and measurement points at the top  
**S** Suspension and measurement points on the side

**FC** Supports for false ceiling installation, measurement points at the top

**Order example: TFC-SC-CF-SPC-CC-ID-VDWF/23.6×.9-9.8-.8/T**

Type	TFC
Variant	Side entry circular spigot
Filter fitting and construction	Filter with continuous seal and flat seal (frame depths 3.1 - 3.5 in) Steel, powder-coated, RAL 9010 (pure white)
Casing material	Clip-in tile ceiling
Type of ceiling	Internal diffuser
Position of air terminal device	VDWF
Air terminal device	23.6 × 0.9 blades
Nominal size [in]	Ø 9.8
Spigot size [in]	0.8
Flange width [in]	Suspension and measurement points at the top
Suspension/measurement points	

**Order example: TFC-SR-G-STA-ED-VDWF/15.7×.6-14.2×3.9-.4/FC**

Type	TFC
Variant	Side entry rectangular spigot
Filter fitting and construction	Filter with gel seal (frame depths 3.6 - 4.1 in) Stainless steel
Casing material	Standard
Type of ceiling	External diffuser
Position of air terminal device	VDWF
Air terminal device	15.7 × 0.6 blades
Nominal size [in]	Width 14.2, height 3.9
Spigot size [in]	0.4
Flange width [in]	False ceiling installation, measurement points at the top
Suspension/measurement points	

## Variants

### Variants, overview

- SC: Side entry circular spigot
- SCH: Side entry circular spigot, manually adjustable shut-off damper
- SCE: Side entry circular spigot, shut-off damper with electric actuator 24 – 240 V AC
- SCV: Side entry circular spigot, volume flow limiter
- SCM: Side entry circular spigot, damper blade for volume flow rate balancing
- SCD: Side entry circular spigot, recessed
- SCA: Side entry circular spigot, aerosol feed
- TC: Top entry circular spigot
- TCM: Top entry circular spigot, damper blade for volume flow rate balancing
- TCA: Top entry circular spigot, aerosol feed
- SR: Side entry rectangular spigot

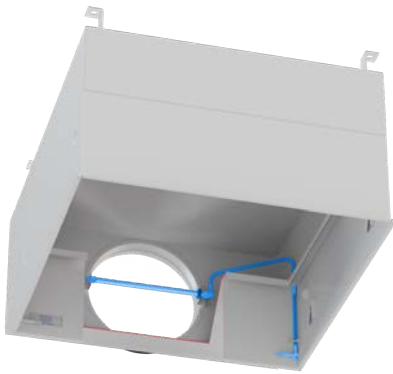
## With side entry circular spigot

**Variant TFC-SC****Variant TFC-SCH**

- Shut-off damper, manually adjustable

**Variant TFC-SCA**

- With aerosol feed

**Variant TFC-SCM**

- Damper blade for volume flow rate balancing



**Variant TFC-SCD**

- With recessed spigot

**Variant TFC-SCE**

- Shut-off damper with electric actuator
- Supply voltage 24 to 240 V AC

**Variant TFC-SCV**

- Volume flow limiter, Type VFL
- Factory set to a reference volume flow rate
- Can be adjusted within a volume flow rate range of >5 : 1



With top entry circular spigot

**Variant TFC-TC**



**Variant TFC-TCA**

- With aerosol feed



**Variant TFC-TCM**

- Damper blade for volume flow rate balancing



With side entry rectangular spigot

Variant TFC-SR



## Constructions

### Ceiling mounted particulate filter, without sealing integrity test groove

- For filters with continuous seal or flat seal CSU/FNU

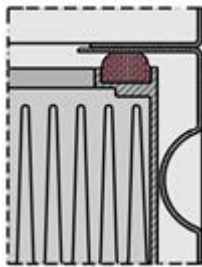
#### Construction TFC-CF

- Frame depths 3.1 - 3.5 in
- MFP-MDF (3.1 - 3.5 in)
  - MFP-ALZ (3.1 in)
  - MFPCR-ALC (3.1 in)
  - MFPCR-ALG (3.5 in)

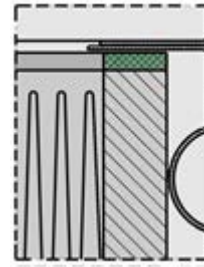
#### Construction TFC-CFL (only for SC, SCM, SCA, TC, TCM, TCA, SR)

- Frame depth: 5.9 in
- MFP-MDF (5.9 in)
  - MFP-ALY (5.9 in)

#### Continuous seal CSU



#### Flat seal FNU

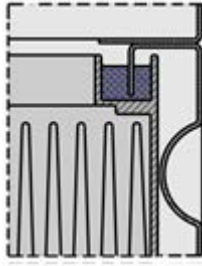


### Ceiling mounted particulate filter, without sealing integrity test groove

- For filters with gel seal PU

#### Construction TFC-G

- Frame depths 3.6 - 4.1 in
- MFP-ALU (3.6 in)
  - MFPCR-ALQ (4.1 in)

**Gel seal PU****Ceiling mounted particulate filter, with sealing integrity test groove**

- For filters with flat seal FNU

**Construction TFC-FT**

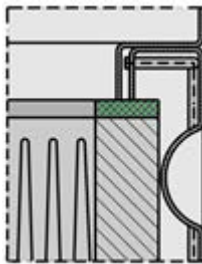
Frame depth: 3.1 in

- MFP-MDF (3.1 in)
- MFP-ALZ (3.1 in)

**Construction TFC-FTL (only for SC, SCM, SCA, TC, TCM, TCA, SR)**

Frame depth: 5.9 in

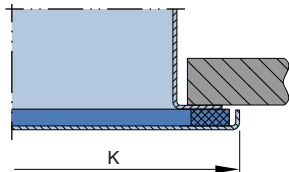
- MFP-MDF (5.9 in)
- MFP-ALY (5.9 in)

**Flat seal FNU**

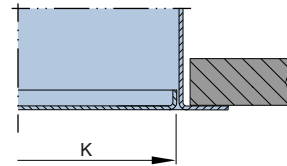
## Type of ceiling

### Plasterboard ceiling or MDF ceiling

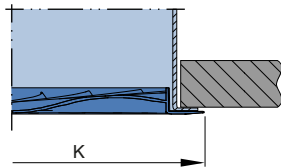
#### ED, external diffuser



#### ID, internal diffuser

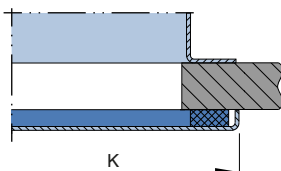


### Air terminal device AIRNAMIC

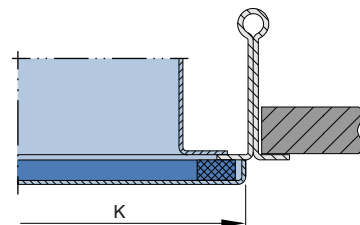


### Walk-on ceiling

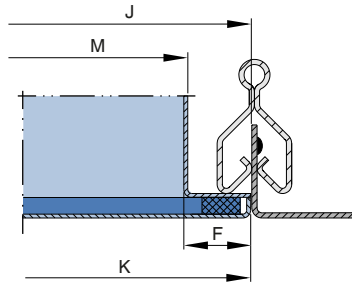
#### Walk-on ceiling



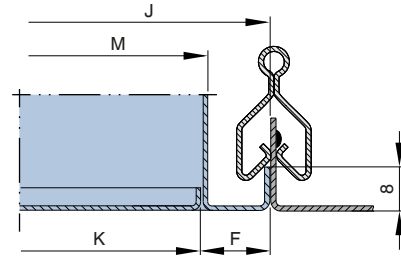
### T-bar ceiling



ED, external diffuser



ID, internal diffuser



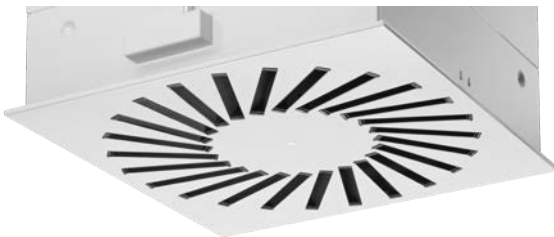
**Air terminal devices**

Casing material	ED external diffuser, nominal sizes							ID internal diffuser, nominal sizes						
	Construction	15.7	19.7	23.6	24.6	26.8	32.5	Construction	15.7	19.7	23.6	24.6	26.8	32.5
	Flange width [in]	0.4	0.6	0.4	0.6	0.6	0.6	Flange width [in]	0.6	0.8	0.5	0.8	-	
SPC	VDWF*** (no. of blades)	16	24	24	24	24	-	VDWF*** (no. of blades) * Diffuser face style 19.7 × 0.9	16	24	24*	24	24	-
SPC	LF	✓	✓	✓	✓	✓	✓	LF	✓	✓	✓	✓	✓	-
SPC	FD	✓	✓	✓	✓	✓	-	FD	✓	✓	✓	✓	✓	-
SPC	TDF	✓	✓	✓	✓	✓	-	TDF	✓	✓	✓	✓	✓	-
SPC	DLQ	✓	✓	✓	✓	✓	-							
SPC	DLQL	✓	✓	✓	✓	✓	-							
SPC	ADLQ	✓	✓	✓	✓	✓	-							
SPC	PCD	-	-	✓	✓	-	-							
SPC	AIRNAMIC	-	-	✓	✓	-	-							
STA	VDWF (no. of blades)	16	24	24	24	24	-	VDWF (no. of blades) * Diffuser face style 19.7 × 0.9	16	24	24*	24	24	-
STA	LF	✓	✓	✓	✓	✓	✓	LF	✓	✓	✓	✓	✓	-

\*\*\* Option Q21 = VDWF with white blades (extra order item)

PAGE BREAK: Abmessungen Komposit

**Air terminal device VDWF**



**Air terminal device FD**



**Air terminal device TDF**



**Air terminal device ADLQ**



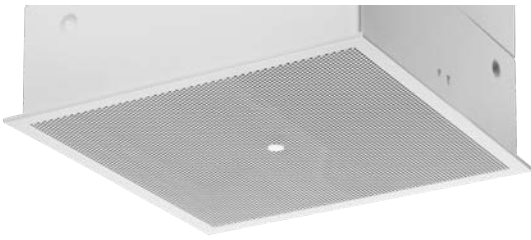
**Air terminal device DLQ**



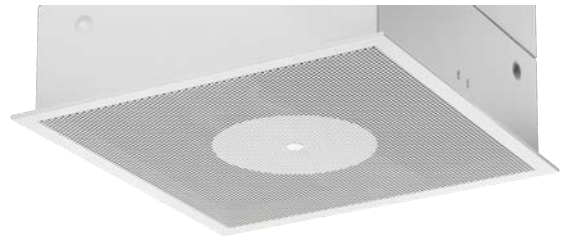
**Air terminal device AIRNAMIC**



**Air terminal device LF**



**Air terminal device DLQL**

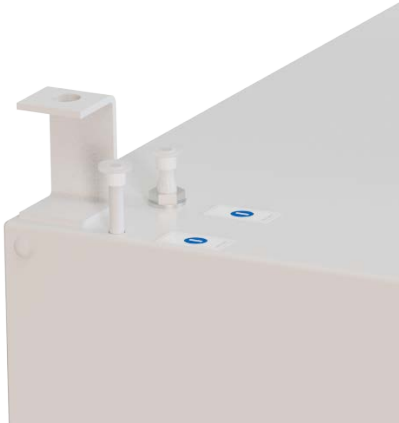


**Air terminal device PCD**



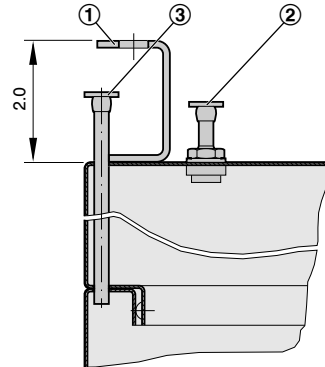
## Suspension/measurement points

### At the top



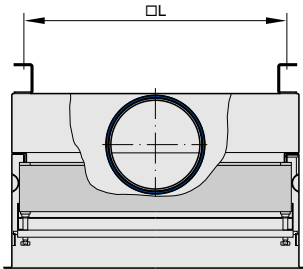
### Option T

- Suspension lugs at the top
- Pressure measurement points at the top

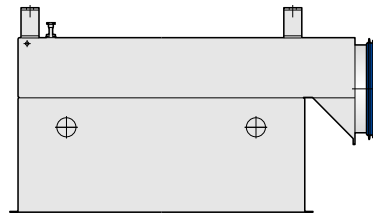


1. Suspension lugs
2. Measurement point (Ø 0.2) on upstream side (plus)
3. Measurement point (Ø 0.2) on downstream side (minus)

### Distance between screw holes



### Distance between screw holes



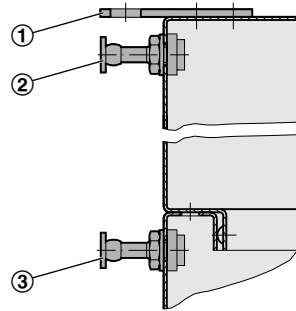
Nominal width	Distance between screw holes
NW	L
15.7	13.0
19.7	16.5
23.6	20.5
24.6	22.0
26.8	23.4
32.5	29.4

At the side



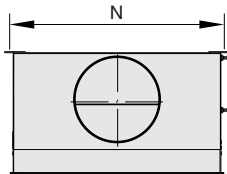
Option S

- Suspension lugs at the side
- Pressure measurement points at the side

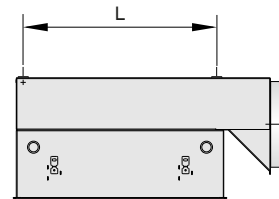


1. Suspension lugs
2. Measurement point (Ø 0.2) on upstream side (plus)
3. Measurement point (Ø 0.2) on downstream side (minus)

Distance between screw holes



Distance between screw holes



Nominal width NW	Distance between screw holes	
	L	N
15.7	13.0	15.8
19.7	16.5	19.3
23.6	20.5	23.2
24.6	22.0	24.8
26.8	23.4	26.2
32.5	29.4	32.2

Option FC

Supports for false ceiling shelf,  
Pressure measurement points, **at the top**

NW	A	B
15.7	10.6	18.3
19.7	14.2	21.9
23.6	18.1	25.8
24.6	19.7	27.4
26.8	21.1	28.7
32.5	27.1	34.7

**Tolerances**

Type of seal	$C_{max}$	$C_{min}$
G	5.4	2.0
FT	4.6	1.3
CF	4.6	1.3
CFL	7.5	4.1
FTL	7.5	4.1

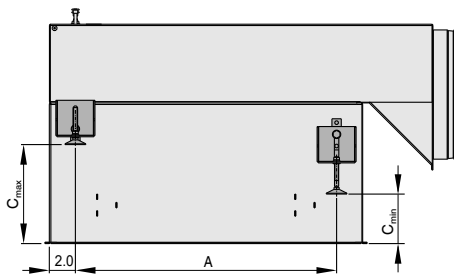
DLQL, PCD: B + 1.6 in



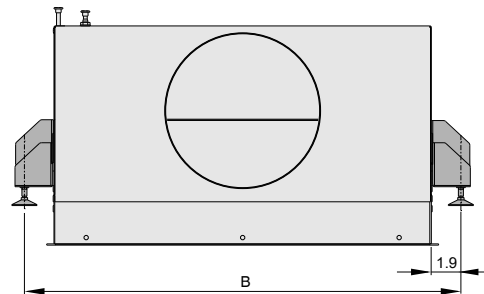
**Supports for false ceiling installation**



**Supports for false ceiling installation, dimensions**

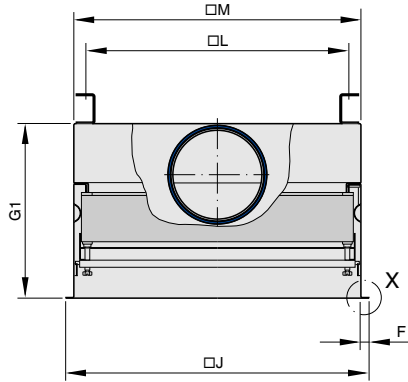


**Supports for false ceiling installation, dimensions**

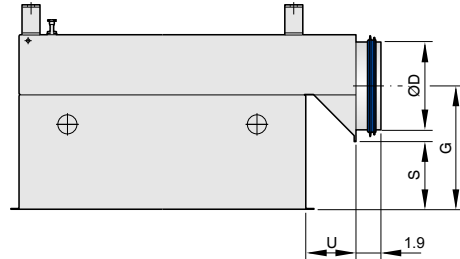


## Dimensions

**TFC-SC, -SCA, -SCM**



**TFC-SC, -SCA, -SCM, side view**



**Product-specific data for TFC-SC, -SCA, -SCM**

All weights are net, without packaging

								Ceiling type 0 with ED			other options**					
1	2	3	4	5	6	7	8	9	10	11	9	10	11	12	13	17
NW	ØD	FA	B × H × T	G1*	S*	G*	M	F	J	K	F	J	K	L	U	lbs
15.7	6.2/7.8	G	13.6 × 13.6 × 4.1	12.5	3.4	8.1	14.6	0.4	15.3	15.7	0.6	15.7	14.4	13.0	5.3	24
15.7	6.2/7.8	G	13.6 × 13.6 × 3.6	12.5	3.4	8.1	14.6	0.4	15.3	15.7	0.6	15.7	14.4	13.0	5.3	24
15.7	6.2/7.8	CF	13.6 × 13.6 × 3.5	11.8	2.7	7.4	14.6	0.4	15.3	15.7	0.6	15.7	14.4	13.0	5.3	24
15.7	6.2/7.8	CF/FT	13.6 × 13.6 × 3.1	11.8	2.7	7.4	14.6	0.4	15.3	15.7	0.6	15.7	14.4	13.0	5.3	24
15.7	6.2/7.8	CFL/FTL	13.6 × 13.6 × 5.9	14.6	5.6	10.3	14.6	0.4	15.3	15.7	0.6	15.7	14.4	13.0	5.3	28
19.7	6.2/7.8	G	17.1 × 17.1 × 4.1	12.3	3.2	8.0	18.1	0.6	19.2	19.6	0.8	19.6	17.9	16.5	5.3	31
19.7	6.2/7.8	G	17.1 × 17.1 × 3.6	12.3	3.2	8.0	18.1	0.6	19.2	19.6	0.8	19.6	17.9	16.5	5.3	31
19.7	6.2/7.8	CF	17.1 × 17.1 × 3.5	11.6	2.5	7.2	18.1	0.6	19.2	19.6	0.8	19.6	17.9	16.5	5.3	31
19.7	6.2/7.8	CF/FT	17.1 × 17.1 × 3.1	11.6	2.5	7.2	18.1	0.6	19.2	19.6	0.8	19.6	17.9	16.5	5.3	31
19.7	6.2/7.8	CFL/FTL	17.1 × 17.1 × 5.9	14.4	5.4	10.1	18.1	0.6	19.2	19.6	0.8	19.6	17.9	16.5	5.3	35
23.6	7.8	G	21.1 × 21.1 × 4.1	12.3	3.2	8.0	22.1	0.6	23.1	23.5	0.8	23.5	21.9	20.5	5.3	37
23.6	7.8	G	21.1 × 21.1 × 3.6	12.3	3.2	8.0	22.1	0.6	23.1	23.5	0.8	23.5	21.9	20.5	5.3	37
23.6	7.8	CF	21.1 × 21.1 × 3.5	11.6	2.5	7.2	22.1	0.6	23.1	23.5	0.8	23.5	21.9	20.5	5.3	37
23.6	7.8	CF/FT	21.1 × 21.1 × 3.1	11.6	2.5	7.2	22.1	0.6	23.1	23.5	0.8	23.5	21.9	20.5	5.3	37
23.6	7.8	CFL/FTL	21.1 × 21.1 × 5.9	14.4	5.4	10.1	22.1	0.6	23.1	23.5	0.8	23.5	21.9	20.5	5.3	43
23.6	9.8	G***	21.1 × 21.1 × 4.1	14.3	3.2	8.9	22.1	0.6	23.1	23.5	0.8	23.5	21.9	20.5	5.3	40
23.6	9.8	G***	21.1 × 21.1 × 3.6	14.3	3.2	8.9	22.1	0.6	23.1	23.5	0.8	23.5	21.9	20.5	5.3	40
23.6	9.8	CF	21.1 × 21.1 × 3.5	13.5	2.5	8.2	22.1	0.6	23.1	23.5	0.8	23.5	21.9	20.5	5.3	40
23.6	9.8	CF/FT	21.1 × 21.1 × 3.1	13.5	2.5	8.2	22.1	0.6	23.1	23.5	0.8	23.5	21.9	20.5	5.3	40
23.6	9.8	CFL/FTL	21.1 × 21.1 × 5.9	16.4	5.4	11.1	22.1	0.6	23.1	23.5	0.8	23.5	21.9	20.5	5.3	46
23.6	12.3	G	21.1 × 21.1 × 4.1	16.8	3.2	10.2	22.1	0.6	23.1	23.5	0.8	23.5	21.9	20.5	5.3	42
23.6	12.3	G	21.1 × 21.1 × 3.6	16.8	3.2	10.2	22.1	0.6	23.1	23.5	0.8	23.5	21.9	20.5	5.3	42
23.6	12.3	CF	21.1 × 21.1 × 3.5	16.1	2.5	9.5	22.1	0.6	23.1	23.5	0.8	23.5	21.9	20.5	5.3	42
23.6	12.3	CF/FT	21.1 × 21.1 × 3.1	16.1	2.5	9.5	22.1	0.6	23.1	23.5	0.8	23.5	21.9	20.5	5.3	42
23.6	12.3	CFL/FTL	21.1 × 21.1 × 5.9	18.9	5.4	12.4	22.1	0.6	23.1	23.5	0.8	23.5	21.9	20.5	5.3	49
24.6	7.8	G	22.6 × 22.6 × 4.1	12.5	3.4	8.1	23.7	0.4	24.3	24.5	0.5	24.5	23.4	22.0	5.3	40
24.6	7.8	G	22.6 × 22.6 × 3.6	12.5	3.4	8.1	23.7	0.4	24.3	24.5	0.5	24.5	23.4	22.0	5.3	40
24.6	7.8	CF	22.6 × 22.6 × 3.5	11.8	2.7	7.4	23.7	0.4	24.3	24.5	0.5	24.5	23.4	22.0	5.3	40
24.6	7.8	CF/FT	22.6 × 22.6 × 3.1	11.8	2.7	7.4	23.7	0.4	24.3	24.5	0.5	24.5	23.4	22.0	5.3	40
24.6	7.8	CFL/FTL	22.6 × 22.6 × 5.9	14.6	5.6	10.3	23.7	0.4	24.3	24.5	0.5	24.5	23.4	22.0	5.3	46
24.6	9.8	G	22.6 × 22.6 × 4.1	14.4	3.4	9.1	23.7	0.4	24.3	24.5	0.5	24.5	23.4	22.0	5.3	42
24.6	9.8	G	22.6 × 22.6 × 3.6	14.4	3.4	9.1	23.7	0.4	24.3	24.5	0.5	24.5	23.4	22.0	5.3	42
24.6	9.8	CF	22.6 × 22.6 × 3.5	13.7	2.7	8.4	23.7	0.4	24.3	24.5	0.5	24.5	23.4	22.0	5.3	42
24.6	9.8	CF/FT	22.6 × 22.6 × 3.1	13.7	2.7	8.4	23.7	0.4	24.3	24.5	0.5	24.5	23.4	22.0	5.3	42

								Ceiling type 0 with ED			other options**					
1	2	3	4	5	6	7	8	9	10	11	9	10	11	12	13	17
NW	ØD	FA	B × H × T	G1*	S*	G*	M	F	J	K	F	J	K	L	U	lbs
24.6	9.8	CFL/FTL	22.6 × 22.6 × 5.9	16.6	5.6	11.3	23.7	0.4	24.3	24.5	0.5	24.5	23.4	22.0	5.3	49
24.6	12.3	G	22.6 × 22.6 × 4.1	17.0	3.4	10.4	23.7	0.4	24.3	24.5	0.5	24.5	23.4	22.0	5.3	46
24.6	12.3	G	22.6 × 22.6 × 3.6	17.0	3.4	10.4	23.7	0.4	24.3	24.5	0.5	24.5	23.4	22.0	5.3	46
24.6	12.3	CF	22.6 × 22.6 × 3.5	16.3	2.7	9.7	23.7	0.4	24.3	24.5	0.5	24.5	23.4	22.0	5.3	46
24.6	12.3	CF/FT	22.6 × 22.6 × 3.1	16.3	2.7	9.7	23.7	0.4	24.3	24.5	0.5	24.5	23.4	22.0	5.3	46
24.6	12.3	CFL/FTL	22.6 × 22.6 × 5.9	19.1	5.6	12.4	23.7	0.4	24.3	24.5	0.5	24.5	23.4	22.0	5.3	53
26.8	9.8	G	24.0 × 24.0 × 4.1	14.3	3.2	8.9	25.0	0.6	26.1	26.7	0.8	26.6	24.8	23.4	5.3	49
26.8	9.8	G	24.0 × 24.0 × 3.6	14.3	3.2	8.9	25.0	0.6	26.1	26.7	0.8	26.6	24.8	23.4	5.3	49
26.8	9.8	CF	24.0 × 24.0 × 3.5	13.5	2.5	8.2	25.0	0.6	26.1	26.7	0.8	26.6	24.8	23.4	5.3	49
26.8	9.8	CF/FT	24.0 × 24.0 × 3.1	13.5	2.5	8.2	25.0	0.6	26.1	26.7	0.8	26.6	24.8	23.4	5.3	49
26.8	9.8	CFL/FTL	24.0 × 24.0 × 5.9	16.4	5.4	11.1	25.0	0.6	26.1	26.7	0.8	26.6	24.8	23.4	5.3	53
26.8	12.3	G	24.0 × 24.0 × 4.1	16.8	3.2	10.2	25.0	0.6	26.1	26.7	0.8	26.6	24.8	23.4	5.3	51
26.8	12.3	G	24.0 × 24.0 × 3.6	16.8	3.2	10.2	25.0	0.6	26.1	26.7	0.8	26.6	24.8	23.4	5.3	51
26.8	12.3	CF	24.0 × 24.0 × 3.5	16.1	2.5	9.5	25.0	0.6	26.1	26.7	0.8	26.6	24.8	23.4	5.3	51
26.8	12.3	CF/FT	24.0 × 24.0 × 3.1	16.1	2.5	9.5	25.0	0.6	26.1	26.7	0.8	26.6	24.8	23.4	5.3	51
26.8	12.3	CFL/FTL	24.0 × 24.0 × 5.9	18.9	5.4	12.4	25.0	0.6	26.1	26.7	0.8	26.6	24.8	23.4	5.3	57
32.5	9.8	G	30.0 × 30.0 × 4.1	14.3	3.2	8.9	31.0	0.6	32.1	32.5	-	-	-	29.4	5.3	68
32.5	9.8	G	30.0 × 30.0 × 3.6	14.3	3.2	8.9	31.0	0.6	32.1	32.5	-	-	-	29.4	5.3	68
32.5	9.8	CF	30.0 × 30.0 × 3.5	14.0	2.5	8.2	31.0	0.6	32.1	32.5	-	-	-	29.4	5.3	68
32.5	9.8	CF/FT	30.0 × 30.0 × 3.1	14.0	2.5	8.2	31.0	0.6	32.1	32.5	-	-	-	29.4	5.3	68
32.5	9.8	CFL/FTL	30.0 × 30.0 × 5.9	16.4	5.4	11.1	31.0	0.6	32.1	32.5	-	-	-	29.4	5.3	73
32.5	12.3	G	30.0 × 30.0 × 4.1	16.8	3.2	10.2	31.0	0.6	32.1	32.5	-	-	-	29.4	5.3	73
32.5	12.3	G	30.0 × 30.0 × 3.6	16.8	3.2	10.2	31.0	0.6	32.1	32.5	-	-	-	29.4	5.3	73
32.5	12.3	CF	30.0 × 30.0 × 3.5	16.1	2.5	9.5	31.0	0.6	32.1	32.5	-	-	-	29.4	5.3	73
32.5	12.3	CF/FT	30.0 × 30.0 × 3.1	16.1	2.5	9.5	31.0	0.6	32.1	32.5	-	-	-	29.4	5.3	73
32.5	12.3	CFL/FTL	30.0 × 30.0 × 5.9	18.9	5.4	12.4	31.0	0.6	32.1	32.5	-	-	-	29.4	5.3	79

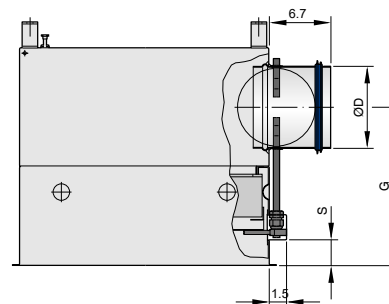
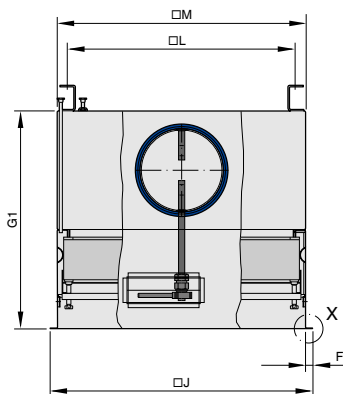
\* Air terminal devices DLQL and PCD: G1, S, G + 1.57 in

\*\* For option CC + ED, K = J (outer dimension diffuser = outer dimension casing flange). For option 0 + ID and CC + ID = dimension according to remaining options (see chapter Ceiling type)

1 Nominal size, 2 Diameter of spigot, 3 Filter mount, 4 Filter size, 5 Casing height, 6 Distance to casing flange, 7 Connection dimension to spigot centre, 8 Outer dimension of casing, 9 Flange width, 10 Outer dimension of casing flange, 11 Outer dimension of diffuser, 12 Hole spacing of top suspension, 13 Casing projection, 17 ~ Weight

TFC-SCH

TFC-SCH, side view



**Product-specific data for TFC-SCH**

All weights are net, without packaging

								Ceiling type 0 with ED			other options**				
1	2	3	4	5	6	7	8	9	10	11	9	10	11	12	17
NW	ØD	FA	B × H × T	G1*	S*	G*	M	F	J	K	F	J	K	L	lbs
15.7	4.9	G	13.6 × 13.6 × 4.1	17.6	1.7	13.0	14.6	0.4	15.3	15.7	0.6	15.7	14.4	13.0	26
15.7	4.9	G	13.6 × 13.6 × 3.6	17.6	1.7	13.0	14.6	0.4	15.3	15.7	0.6	15.7	14.4	13.0	26
15.7	4.9	CF	13.6 × 13.6 × 3.5	16.9	1.7	12.3	14.6	0.4	15.3	15.7	0.6	15.7	14.4	13.0	26
15.7	4.9	CF/FT	13.6 × 13.6 × 3.1	16.9	1.7	12.3	14.6	0.4	15.3	15.7	0.6	15.7	14.4	13.0	26
19.7	6.3	G	17.1 × 17.1 × 4.1	17.4	1.5	12.8	18.1	0.6	19.2	19.6	0.8	19.6	17.9	16.5	33
19.7	6.3	G	17.1 × 17.1 × 3.6	17.4	1.5	12.8	18.1	0.6	19.2	19.6	0.8	19.6	17.9	16.5	33
19.7	6.3	CF	17.1 × 17.1 × 3.5	16.7	1.5	12.1	18.1	0.6	19.2	19.6	0.8	19.6	17.9	16.5	33
19.7	6.3	CF/FT	17.1 × 17.1 × 3.1	16.7	1.5	12.1	18.1	0.6	19.2	19.6	0.8	19.6	17.9	16.5	33
23.6	7.9	G	21.1 × 21.1 × 4.1	17.4	1.5	12.8	22.1	0.6	23.1	23.5	0.8	23.5	21.9	20.5	41
23.6	7.9	G	21.1 × 21.1 × 3.6	17.4	1.5	12.8	22.1	0.6	23.1	23.5	0.8	23.5	21.9	20.5	41
23.6	7.9	CF	21.1 × 21.1 × 3.5	16.7	1.5	12.1	22.1	0.6	23.1	23.5	0.8	23.5	21.9	20.5	41
23.6	7.9	CF/FT	21.1 × 21.1 × 3.1	16.7	1.5	12.1	22.1	0.6	23.1	23.5	0.8	23.5	21.9	20.5	41
24.6	7.9	G	22.6 × 22.6 × 4.1	17.6	1.7	13.0	23.7	0.4	24.3	24.5	0.5	24.5	23.4	22.0	44
24.6	7.9	G	22.6 × 22.6 × 3.6	17.6	1.7	13.0	23.7	0.4	24.3	24.5	0.5	24.5	23.4	22.0	44
24.6	7.9	CF	22.6 × 22.6 × 3.5	16.9	1.7	12.3	23.7	0.4	24.3	24.5	0.5	24.5	23.4	22.0	44
24.6	7.9	CF/FT	22.6 × 22.6 × 3.1	16.9	1.7	12.3	23.7	0.4	24.3	24.5	0.5	24.5	23.4	22.0	44
26.8	7.9	G	24.0 × 24.0 × 4.1	17.4	1.5	12.8	25.0	0.6	26.1	26.6	0.8	26.6	24.8	23.4	50
26.8	7.9	G	24.0 × 24.0 × 3.6	17.4	1.5	12.8	25.0	0.6	26.1	26.6	0.8	26.6	24.8	23.4	50
26.8	7.9	CF	24.0 × 24.0 × 3.5	16.7	1.5	23.9	25.0	0.6	26.1	26.6	0.8	26.6	24.8	23.4	50
26.8	7.9	CF/FT	24.0 × 24.0 × 3.1	16.7	1.5	23.9	25.0	0.6	26.1	26.6	0.8	26.6	24.8	23.4	50
32.5	7.9	G	30.0 × 30.0 × 4.1	17.4	1.5	12.8	31.0	0.6	32.1	32.5	-	-	-	29.4	68
32.5	7.9	G	30.0 × 30.0 × 3.6	17.4	1.5	12.8	31.0	0.6	32.1	32.5	-	-	-	29.4	68
32.5	7.9	CF	30.0 × 30.0 × 3.5	16.7	1.5	12.1	31.0	0.6	32.1	32.5	-	-	-	29.4	68
32.5	7.9	CF/FT	30.0 × 30.0 × 3.1	16.7	1.5	12.1	31.0	0.6	32.1	32.5	-	-	-	29.4	68

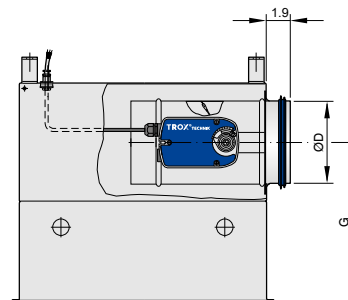
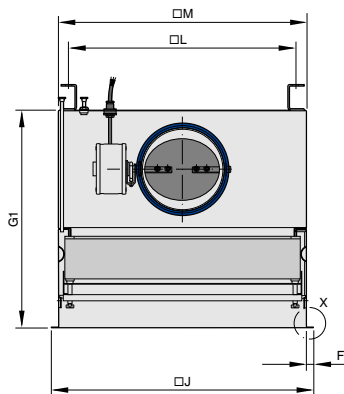
\* Air terminal devices DLQL and PCD: G1, S, G + 1.57 in

\*\* For option CC + ED, K = J (outer dimension diffuser = outer dimension casing flange). For option 0 + ID and CC + ID = dimension according to remaining options (see chapter Ceiling type)

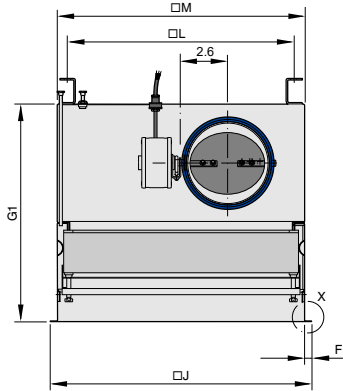
1 Nominal size, 2 Diameter of spigot, 3 Filter mounting, 4 Filter size, 5 Casing height, 6 Distance to casing flange, 7 Connection dimension to spigot centre, 8 Outer dimension of casing, 9 Flange width, 10 Outer dimension of casing flange, 11 Outer dimension of diffuser, 12 Hole spacing of top suspension, 17 ~ Weight

**TFC-SCE**

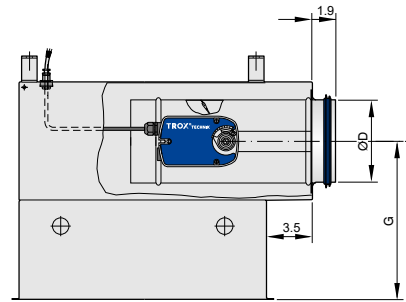
**TFC-SCE, side view**



TFC-SCE, suitable for filter size 13.6 × 13.6



TFC-SCE, suitable for filter size 13.6 × 13.6, side view



**Product-specific data for TFC-SCE**

All weights are net, without packaging

							Ceiling type 0 with ED			other options**				
1	2	3	4	5	7	8	9	10	11	9	10	11	12	17
NW	ØD	FA	B × H × T	G1*	G*	M	F	J	K	F	J	K	L	lbs
15.7***	4.9	G	13.6 × 13.6 × 4.1	17.6	13.0	14.6	0.4	15.3	15.7	0.6	15.7	14.4	13.0	29
15.7***	4.9	G	13.6 × 13.6 × 3.6	17.6	13.0	14.6	0.4	15.3	15.7	0.6	15.7	14.4	13.0	29
15.7***	4.9	CF	13.6 × 13.6 × 3.5	16.9	12.3	14.6	0.4	15.3	15.7	0.6	15.7	14.4	13.0	29
15.7***	4.9	CF/FT	13.6 × 13.6 × 3.1	16.9	12.3	14.6	0.4	15.3	15.7	0.6	15.7	14.4	13.0	29
19.7	6.3	G	17.1 × 17.1 × 4.1	17.4	12.8	18.1	0.6	19.2	19.6	0.8	19.6	17.9	16.5	34
19.7	6.3	G	17.1 × 17.1 × 3.6	17.4	12.8	18.1	0.6	19.2	19.6	0.8	19.6	17.9	16.5	34
19.7	6.3	CF	17.1 × 17.1 × 3.5	16.7	12.1	18.1	0.6	19.2	19.6	0.8	19.6	17.9	16.5	34
19.7	6.3	CF/FT	17.1 × 17.1 × 3.1	16.7	12.1	18.1	0.6	19.2	19.6	0.8	19.6	17.9	16.5	34
23.6	7.9	G	21.1 × 21.1 × 4.1	17.4	12.8	22.1	0.6	23.1	23.5	0.8	23.5	21.9	20.5	42
23.6	7.9	G	21.1 × 21.1 × 3.6	17.4	12.8	22.1	0.6	23.1	23.5	0.8	23.5	21.9	20.5	42
23.6	7.9	CF	21.1 × 21.1 × 3.5	16.7	12.1	22.1	0.6	23.1	23.5	0.8	23.5	21.9	20.5	42
23.6	7.9	CF/FT	21.1 × 21.1 × 3.1	16.7	12.1	22.1	0.6	23.1	23.5	0.8	23.5	21.9	20.5	42
24.6	7.9	G	22.6 × 22.6 × 4.1	17.6	13.0	23.7	0.4	24.3	24.5	0.5	24.5	23.4	22.0	44
24.6	7.9	G	22.6 × 22.6 × 3.6	17.6	13.0	23.7	0.4	24.3	24.5	0.5	24.5	23.4	22.0	44
24.6	7.9	CF	22.6 × 22.6 × 3.5	16.9	12.3	23.7	0.4	24.3	24.5	0.5	24.5	23.4	22.0	44
24.6	7.9	CF/FT	22.6 × 22.6 × 3.1	16.9	12.3	23.7	0.4	24.3	24.5	0.5	24.5	23.4	22.0	44
26.8	7.9	G	24.0 × 24.0 × 4.1	17.4	12.8	25.0	0.6	26.1	26.6	0.8	26.6	24.8	23.4	50
26.8	7.9	G	24.0 × 24.0 × 3.6	17.4	12.8	25.0	0.6	26.1	26.6	0.8	26.6	24.8	23.4	50
26.8	7.9	CF	24.0 × 24.0 × 3.5	16.7	12.1	25.0	0.6	26.1	26.6	0.8	26.6	24.8	23.4	50
26.8	7.9	CF/FT	24.0 × 24.0 × 3.1	16.7	12.1	25.0	0.6	26.1	26.6	0.8	26.6	24.8	23.4	50
32.5	7.9	G	30.0 × 30.0 × 4.1	17.4	12.8	31.0	0.6	32.1	32.5	-	-	-	29.4	71
32.5	7.9	G	30.0 × 30.0 × 3.6	17.4	12.8	31.0	0.6	32.1	32.5	-	-	-	29.4	71
32.5	7.9	CF	30.0 × 30.0 × 3.5	16.7	12.1	31.0	0.6	32.1	32.5	-	-	-	29.4	71
32.5	7.9	CF/FT	30.0 × 30.0 × 3.1	16.7	12.1	31.0	0.6	32.1	32.5	-	-	-	29.4	71

\* Air terminal devices DLQL and PCD: G1, S, G + 1.6 in

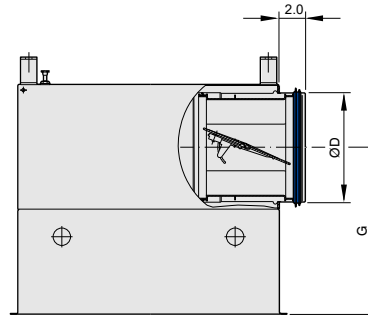
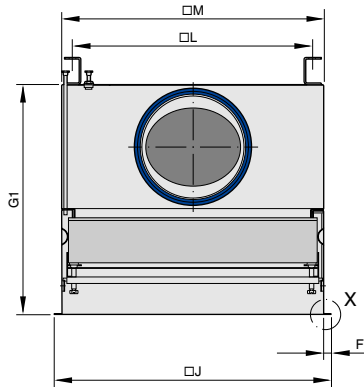
\*\* For option CC + ED, K = J (outer dimension diffuser = outer dimension casing flange). For option 0 + ID and CC + ID = dimension according to remaining options (see chapter Ceiling type)

\*\*\*NW 400 with recessed spigot

1 Nominal size, 2 Diameter of spigot, 3 Filter mounting, 4 Filter size, 5 Casing height, 7 Connection dimension to centre of spigot, 8 Outer dimension of casing, 9 Flange width, 10 Outer dimension of casing flange, 10 Outer dimension of diffuser, 12 Hole spacing of top suspension 17 ~ Weight

TFC-SCV

TFC-SCV, side view



Product-specific data for TFC-SCV

All weights are net, without packaging

						Ceiling type 0 with ED				other options**				
1	2	3	4	5	7	8	9	10	11	9	10	11	12	17
NW	ØD	FA	B × H × T	G1*	G*	M	F	J	K	F	J	K	L	lbs
15.7	6.3	G	13.6 × 13.6 × 4.1	17.6	13.0	14.6	0.4	15.3	15.7	0.6	15.7	14.4	13.0	25
15.7	6.3	G	13.6 × 13.6 × 3.6	17.6	13.0	14.6	0.4	15.3	15.7	0.6	15.7	14.4	13.0	25
15.7	6.3	CF	13.6 × 13.6 × 3.5	16.9	12.3	14.6	0.4	15.3	15.7	0.6	15.7	14.4	13.0	25
15.7	6.3	CF/FT	13.6 × 13.6 × 3.1	16.9	12.3	14.6	0.4	15.3	15.7	0.6	15.7	14.4	13.0	25
19.7	7.9	G	17.1 × 17.1 × 4.1	17.4	12.8	18.1	0.6	19.2	19.6	0.8	19.6	17.9	16.5	32
19.7	7.9	G	17.1 × 17.1 × 3.6	17.4	12.8	18.1	0.6	19.2	19.6	0.8	19.6	17.9	16.5	32
19.7	7.9	CF	17.1 × 17.1 × 3.5	16.7	12.1	18.1	0.6	19.2	19.6	0.8	19.6	17.9	16.5	32
19.7	7.9	CF/FT	17.1 × 17.1 × 3.1	16.7	12.1	18.1	0.6	19.2	19.6	0.8	19.6	17.9	16.5	32
23.6	9.8	G	21.1 × 21.1 × 4.1	19.3	13.8	22.1	0.6	23.1	23.5	0.8	23.5	21.9	20.5	43
23.6	9.8	G	21.1 × 21.1 × 3.6	19.3	13.8	22.1	0.6	23.1	23.5	0.8	23.5	21.9	20.5	43
23.6	9.8	CF	21.1 × 21.1 × 3.5	18.6	13.1	22.1	0.6	23.1	23.5	0.8	23.5	21.9	20.5	43
23.6	9.8	CF/FT	21.1 × 21.1 × 3.1	18.6	13.1	22.1	0.6	23.1	23.5	0.8	23.5	21.9	20.5	43
24.6	9.8	G	22.6 × 22.6 × 4.1	19.5	14.0	23.7	0.4	24.3	24.5	0.5	24.5	23.4	22.0	46
24.6	9.8	G	22.6 × 22.6 × 3.6	19.5	14.0	23.7	0.4	24.3	24.5	0.5	24.5	23.4	22.0	46
24.6	9.8	CF	22.6 × 22.6 × 3.5	18.8	13.3	23.7	0.4	24.3	24.5	0.5	24.5	23.4	22.0	46
24.6	9.8	CF/FT	22.6 × 22.6 × 3.1	18.8	13.3	23.7	0.4	24.3	24.5	0.5	24.5	23.4	22.0	46
26.8	9.8	G	24.0 × 24.0 × 4.1	19.3	13.8	25.0	0.6	26.1	26.6	0.8	26.6	24.8	23.4	56
26.8	9.8	G	24.0 × 24.0 × 3.6	19.3	13.8	25.0	0.6	26.1	26.6	0.8	26.6	24.8	23.4	56
26.8	9.8	CF	24.0 × 24.0 × 3.5	18.6	13.1	25.0	0.6	26.1	26.6	0.8	26.6	24.8	23.4	56
26.8	9.8	CF/FT	24.0 × 24.0 × 3.1	18.6	13.1	25.0	0.6	26.1	26.6	0.8	26.6	24.8	23.4	56
32.5	9.8	G	30.0 × 30.0 × 4.1	19.3	13.8	31.0	0.6	32.1	32.5	-	-	-	29.4	73
32.5	9.8	G	30.0 × 30.0 × 3.6	19.3	13.8	31.0	0.6	32.1	32.5	-	-	-	29.4	73
32.5	9.8	CF	30.0 × 30.0 × 3.5	18.6	13.1	31.0	0.6	32.1	32.5	-	-	-	29.4	73
32.5	9.8	CF/FT	30.0 × 30.0 × 3.1	18.6	13.1	31.0	0.6	32.1	32.5	-	-	-	29.4	73

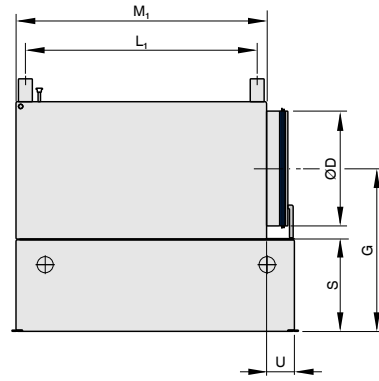
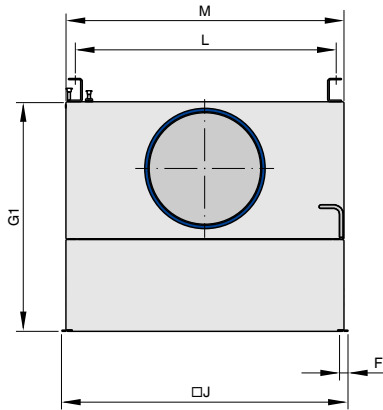
\* Air terminal devices DLQL and PCD: G1, S, G + 1.6 in

\*\* For option CC + ED, K = J (outer dimension diffuser = outer dimension casing flange). For option 0 + ID and CC + ID = dimension according to remaining options (see chapter Ceiling type)

1 Nominal size, 2 Diameter of spigot, 3 Filter mount, 4 Filter size, 5 Casing height, 7 Connection dimension to centre of spigot, 8 Outer dimension of casing, 9 Flange width, 10 Outer dimension of casing flange, 10 Outer dimension of diffuser, 12 Hole spacing of top suspension, 17 ~ Weight

TFC-SCD

TFC-SCD, Seitenansicht



Product-specific data for TFC-SCD

All weights are net, without packaging

							Ceiling type 0 with ED			other options**				
1	2	3	4	5	7	8	9	10	11	9	10	11	12	17
NW	ØD	FA	B × H × T	G1*	G*	M	F	J	K	F	J	K	L	lbs
15.7	6.2/7.8	G	13.6 × 13.6 × 4.1	18.2	13.5	14.6	0.4	15.3	15.7	0.6	15.7	14.4	13.0	26
15.7	6.2/7.8	G	13.6 × 13.6 × 3.6	18.2	13.5	14.6	0.4	15.3	15.7	0.6	15.7	14.4	13.0	26
15.7	6.2/7.8	CF	13.6 × 13.6 × 3.5	17.5	12.8	14.6	0.4	15.3	15.7	0.6	15.7	14.4	13.0	26
15.7	6.2/7.8	CF/FT	13.6 × 13.6 × 3.1	17.5	12.8	14.6	0.4	15.3	15.7	0.6	15.7	14.4	13.0	26
19.7	6.2/7.8	G	17.1 × 17.1 × 4.1	18.0	13.3	18.1	0.6	19.2	19.6	0.8	19.6	17.9	16.5	33
19.7	6.2/7.8	G	17.1 × 17.1 × 3.6	18.0	13.3	18.1	0.6	19.2	19.6	0.8	19.6	17.9	16.5	33
19.7	6.2/7.8	CF	17.1 × 17.1 × 3.5	17.4	12.7	18.1	0.6	19.2	19.6	0.8	19.6	17.9	16.5	33
19.7	6.2/7.8	CF/FT	17.1 × 17.1 × 3.1	17.4	12.7	18.1	0.6	19.2	19.6	0.8	19.6	17.9	16.5	33
23.6	7.8	G	21.1 × 21.1 × 4.1	18.0	13.3	22.1	0.6	23.1	23.5	0.8	23.5	21.9	20.5	42
23.6	7.8	G	21.1 × 21.1 × 3.6	18.0	13.3	22.1	0.6	23.1	23.5	0.8	23.5	21.9	20.5	42
23.6	7.8	CF	21.1 × 21.1 × 3.5	17.4	12.7	22.1	0.6	23.1	23.5	0.8	23.5	21.9	20.5	42
23.6	7.8	CF/FT	21.1 × 21.1 × 3.1	17.4	12.7	22.1	0.6	23.1	23.5	0.8	23.5	21.9	20.5	42
23.6	9.8	G	21.1 × 21.1 × 4.1	20.0	14.3	22.1	0.6	23.1	23.5	0.8	23.5	21.9	20.5	44
23.6	9.8	G	21.1 × 21.1 × 3.6	20.0	14.3	22.1	0.6	23.1	23.5	0.8	23.5	21.9	20.5	44
23.6	9.8	CF	21.1 × 21.1 × 3.5	19.3	13.7	22.1	0.6	23.1	23.5	0.8	23.5	21.9	20.5	44
23.6	9.8	CF/FT	21.1 × 21.1 × 3.1	19.3	13.7	22.1	0.6	23.1	23.5	0.8	23.5	21.9	20.5	44
23.6	12.3	G	21.1 × 21.1 × 4.1	22.6	15.6	22.1	0.6	23.1	23.5	0.8	23.5	21.9	20.5	47
23.6	12.3	G	21.1 × 21.1 × 3.6	22.6	15.6	22.1	0.6	23.1	23.5	0.8	23.5	21.9	20.5	47
23.6	12.3	CF	21.1 × 21.1 × 3.5	21.9	14.9	22.1	0.6	23.1	23.5	0.8	23.5	21.9	20.5	47
23.6	12.3	CF/FT	21.1 × 21.1 × 3.1	21.9	14.9	22.1	0.6	23.1	23.5	0.8	23.5	21.9	20.5	47
24.6	7.8	G	22.6 × 22.6 × 4.1	18.2	13.5	23.7	0.4	24.3	24.5	0.5	24.5	23.4	22.0	46
24.6	7.8	G	22.6 × 22.6 × 3.6	18.2	13.5	23.7	0.4	24.3	24.5	0.5	24.5	23.4	22.0	46
24.6	7.8	CF	22.6 × 22.6 × 3.5	17.6	12.9	23.7	0.4	24.3	24.5	0.5	24.5	23.4	22.0	46
24.6	7.8	CF/FT	22.6 × 22.6 × 3.1	17.6	12.9	23.7	0.4	24.3	24.5	0.5	24.5	23.4	22.0	46
24.6	9.8	G	22.6 × 22.6 × 4.1	20.2	14.5	23.7	0.4	24.3	24.5	0.5	24.5	23.4	22.0	49
24.6	9.8	G	22.6 × 22.6 × 3.6	20.2	14.5	23.7	0.4	24.3	24.5	0.5	24.5	23.4	22.0	49
24.6	9.8	CF	22.6 × 22.6 × 3.5	19.5	13.9	23.7	0.4	24.3	24.5	0.5	24.5	23.4	22.0	49
24.6	9.8	CF/FT	22.6 × 22.6 × 3.1	19.5	13.9	23.7	0.4	24.3	24.5	0.5	24.5	23.4	22.0	49
24.6	12.3	G	22.6 × 22.6 × 4.1	22.8	15.8	23.7	0.4	24.3	24.5	0.5	24.5	23.4	22.0	52
24.6	12.3	G	22.6 × 22.6 × 3.6	22.8	15.8	23.7	0.4	24.3	24.5	0.5	24.5	23.4	22.0	52
24.6	12.3	CF	22.6 × 22.6 × 3.5	22.1	15.1	23.7	0.4	24.3	24.5	0.5	24.5	23.4	22.0	52
24.6	12.3	CF/FT	22.6 × 22.6 × 3.1	22.1	15.1	23.7	0.4	24.3	24.5	0.5	24.5	23.4	22.0	52
26.8	9.8	G	24.0 × 24.0 × 4.1	20.0	14.3	25.0	0.6	26.1	26.6	0.8	26.6	24.8	23.4	55
26.8	9.8	G	24.0 × 24.0 × 3.6	20.0	14.3	25.0	0.6	26.1	26.6	0.8	26.6	24.8	23.4	55
26.8	9.8	CF	24.0 × 24.0 × 3.5	19.3	13.7	25.0	0.6	26.1	26.6	0.8	26.6	24.8	23.4	55
26.8	9.8	CF/FT	24.0 × 24.0 × 3.1	19.3	13.7	25.0	0.6	26.1	26.6	0.8	26.6	24.8	23.4	55
26.8	12.3	G	24.0 × 24.0 × 4.1	22.6	15.6	25.0	0.6	26.1	26.6	0.8	26.6	24.8	23.4	57
26.8	12.3	G	24.0 × 24.0 × 3.6	22.6	15.6	25.0	0.6	26.1	26.6	0.8	26.6	24.8	23.4	57
26.8	12.3	CF	24.0 × 24.0 × 3.5	21.9	14.9	25.0	0.6	26.1	26.6	0.8	26.6	24.8	23.4	57
26.8	12.3	CF/FT	24.0 × 24.0 × 3.1	21.9	14.9	25.0	0.6	26.1	26.6	0.8	26.6	24.8	23.4	57

							Ceiling type 0 with ED			other options**				
1	2	3	4	5	7	8	9	10	11	9	10	11	12	17
NW	ØD	FA	B × H × T	G1*	G*	M	F	J	K	F	J	K	L	lbs
32.5	9.8	G	30.0 × 30.0 × 4.1	20.0	14.3	31.0	0.6	32.1	32.5	-	-	-	29.4	71
32.5	9.8	G	30.0 × 30.0 × 3.6	20.0	14.3	31.0	0.6	32.1	32.5	-	-	-	29.4	71
32.5	9.8	CF	30.0 × 30.0 × 3.5	19.3	13.6	31.0	0.6	32.1	32.5	-	-	-	29.4	71
32.5	9.8	CF/FT	30.0 × 30.0 × 3.1	19.3	13.6	31.0	0.6	32.1	32.5	-	-	-	29.4	71
32.5	12.3	G	30.0 × 30.0 × 4.1	22.5	15.6	31.0	0.6	32.1	32.5	-	-	-	29.4	75
32.5	12.3	G	30.0 × 30.0 × 3.6	22.5	15.6	31.0	0.6	32.1	32.5	-	-	-	29.4	75
32.5	12.3	CF	30.0 × 30.0 × 3.5	21.9	14.9	31.0	0.6	32.1	32.5	-	-	-	29.4	75
32.5	12.3	CF/FT	30.0 × 30.0 × 3.1	21.9	14.9	31.0	0.6	32.1	32.5	-	-	-	29.4	75

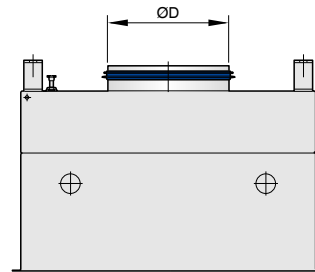
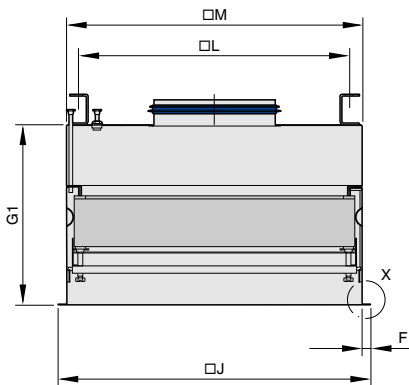
\* Air terminal devices DLQL and PCD: G1, S, G + 1.6 in

\*\* For option CC + ED, K = J (outer dimension diffuser = outer dimension casing flange). For option 0 + ID and CC + ID = dimension according to remaining options (see chapter Ceiling type)

1 Nominal size, 2 Diameter of spigot, 3 Filter mount, 4 Filter size, 5 Casing height, 7 Connection dimension to centre of spigot, 8 Outer dimension of casing, 9 Flange width, 10 Outer dimension of casing flange, 10 Outer dimension of diffuser, 12 Hole spacing of top suspension, 13 Casing projection 17 ~ Weight

TFC-TC, -TCA

TFC-TC, -TCA, side view



Product-specific data for TFC-TC, -TCA

All weights are net, without packaging

							Ceiling type 0 with ED			other options**				
1	2	3	4	5	8	9	10	11	9	10	11	12	17	
NW	ØD	FA	B × H × T	G1*	M	F	J	K	F	J	K	L	lbs	
15.7	6.2/7.8	G	13.6 x 13.6 x 4.1	12.5	14.6	0.4	15.3	15.7	0.6	15.7	14.4	13.0	20	
15.7	6.2/7.8	G	13.6 x 13.6 x 3.6	12.5	14.6	0.4	15.3	15.7	0.6	15.7	14.4	13.0	20	
15.7	6.2/7.8	CF	13.6 x 13.6 x 3.5	11.8	14.6	0.4	15.3	15.7	0.6	15.7	14.4	13.0	20	
15.7	6.2/7.8	CF/FT	13.6 x 13.6 x 3.1	11.8	14.6	0.4	15.3	15.7	0.6	15.7	14.4	13.0	20	
15.7	6.2/7.8	CFL/FTL	13.6 x 13.6 x 5.9	14.6	14.6	0.4	15.3	15.7	0.6	15.7	14.4	13.0	23	
19.7	6.2/7.8	G	17.1 x 17.1 x 4.1	12.3	18.1	0.6	19.2	19.6	0.8	19.6	17.9	16.5	24	
19.7	6.2/7.8	G	17.1 x 17.1 x 3.6	12.3	18.1	0.6	19.2	19.6	0.8	19.6	17.9	16.5	24	
19.7	6.2/7.8	CF	17.1 x 17.1 x 3.5	11.6	18.1	0.6	19.2	19.6	0.8	19.6	17.9	16.5	24	
19.7	6.2/7.8	CF/FT	17.1 x 17.1 x 3.1	11.6	18.1	0.6	19.2	19.6	0.8	19.6	17.9	16.5	24	
19.7	6.2/7.8	CFL/FTL	17.1 x 17.1 x 5.9	14.4	18.1	0.6	19.2	19.6	0.8	19.6	17.9	16.5	30	
23.6	7.8/9.8/12.3	G	21.1 x 21.1 x 4.1	12.3	22.1	0.6	23.1	23.5	0.8	23.5	21.9	20.5	31	
23.6	7.8/9.8/12.3	G	21.1 x 21.1 x 3.6	12.3	22.1	0.6	23.1	23.5	0.8	23.5	21.9	20.5	31	
23.6	7.8/9.8/12.3	CF	21.1 x 21.1 x 3.5	11.6	22.1	0.6	23.1	23.5	0.8	23.5	21.9	20.5	31	
23.6	7.8/9.8/12.3	CF/FT	21.1 x 21.1 x 3.1	11.6	22.1	0.6	23.1	23.5	0.8	23.5	21.9	20.5	31	
23.6	7.8/9.8/12.3	CFL/FTL	21.1 x 21.1 x 5.9	14.4	22.1	0.6	23.1	23.5	0.8	23.5	21.9	20.5	37	
24.6	7.8/9.8/12.3	G	22.6 x 22.6 x 4.1	12.5	23.7	0.4	24.3	24.5	0.5	24.5	23.4	22.0	33	
24.6	7.8/9.8/12.3	G	22.6 x 22.6 x 3.6	12.5	23.7	0.4	24.3	24.5	0.5	24.5	23.4	22.0	33	
24.6	7.8/9.8/12.3	CF	22.6 x 22.6 x 3.5	11.8	23.7	0.4	24.3	24.5	0.5	24.5	23.4	22.0	33	
24.6	7.8/9.8/12.3	CF/FT	22.6 x 22.6 x 3.1	11.8	23.7	0.4	24.3	24.5	0.5	24.5	23.4	22.0	33	
24.6	7.8/9.8/12.3	CFL/FTL	22.6 x 22.6 x 5.9	14.6	23.7	0.4	24.3	24.5	0.5	24.5	23.4	22.0	40	
26.8	9.8/12.3	G	24.0x 24.0 x 4.1	12.3	25.0	0.6	26.1	26.6	0.8	26.6	24.8	23.4	37	
26.8	9.8/12.3	G	24.0 x 24.0 x 3.6	12.3	25.0	0.6	26.1	26.6	0.8	26.6	24.8	23.4	37	

						Ceiling type 0 with ED			other options**				
1	2	3	4	5	8	9	10	11	9	10	11	12	17
NW	ØD	FA	B × H × T	G1*	M	F	J	K	F	J	K	L	lbs
26.8	9.8/12.3	CF	24.0 x 24.0 x 3.5	11.6	25.0	0.6	26.1	26.6	0.8	26.6	24.8	23.4	37
26.8	9.8/12.3	CF/FT	24.0 x 24.0 x 3.1	11.6	25.0	0.6	26.1	26.6	0.8	26.6	24.8	23.4	37
26.8	9.8/12.3	CFL/FTL	24.0 x 24.0 x 5.9	14.4	25.0	0.6	26.1	26.6	0.8	26.6	24.8	23.4	43
32.5	9.8/12.3	G	30.0 x 30.0 x 4.1	12.3	31.0	0.6	32.1	32.5	-	-	-	29.4	53
32.5	9.8/12.3	G	30.0 x 30.0 x 3.6	12.3	31.0	0.6	32.1	32.5	-	-	-	29.4	53
32.5	9.8/12.3	CF	30.0 x 30.0 x 3.5	11.6	31.0	0.6	32.1	32.5	-	-	-	29.4	53
32.5	9.8/12.3	CF/FT	30.0 x 30.0 x 3.1	11.6	31.0	0.6	32.1	32.5	-	-	-	29.4	53
32.5	9.8/12.3	CFL/FTL	30.0 x 30.0 x 5.9	14.4	31.0	0.6	32.1	32.5	-	-	-	29.4	60

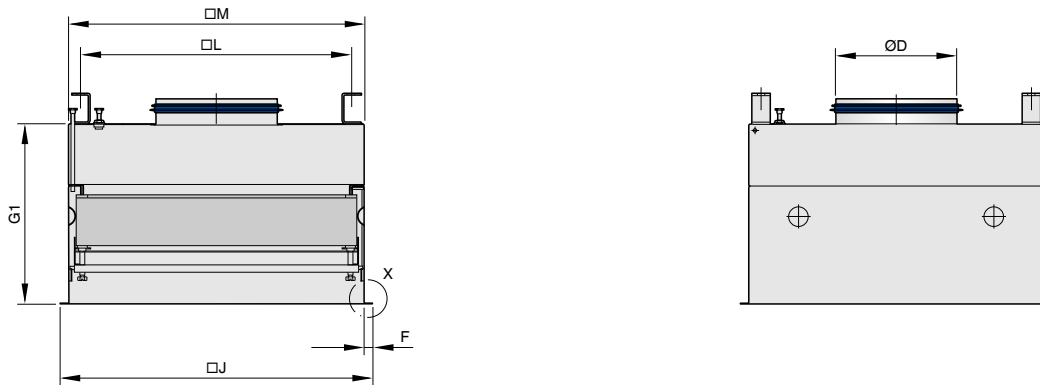
\* Air terminal devices DLQL and PCD: G1, S, G + 1.6 in

\*\* For option CC + ED, K = J (outer dimension diffuser = outer dimension casing flange). For option 0 + ID and CC + ID = dimension according to remaining options (see chapter Ceiling type)

1 Nominal size, 2 Diameter of connection spigot, 3 Filter mounting, 4 Filter size, 5 Casing height, 8 Outer dimension of casing, 9 Flange width, 10 Outer dimension of casing flange, 11 Outer dimension of air diffuser, 12 Hole spacing of top suspension, 17 ~ Weight

## TFC-TCM

## TFC-TCM, side view



## Product-specific data for TFC-TCM

All weights are net, without packaging

						Ceiling type 0 with ED			other options**				
1	2	3	4	5	8	9	10	11	9	10	11	12	17
NW	ØD	FA	B × H × T	G1*	M	F	J	K	F	J	K	L	lbs
15.7	6.2/7.8	G	13.6 x 13.6 x 4.1	12.5	14.6	0.4	15.3	15.7	0.6	15.7	14.4	13.0	20
15.7	6.2/7.8	G	13.6 x 13.6 x 3.6	12.5	14.6	0.4	15.3	15.7	0.6	15.7	14.4	13.0	20
15.7	6.2/7.8	CF	13.6 x 13.6 x 3.5	11.8	14.6	0.4	15.3	15.7	0.6	15.7	14.4	13.0	20
15.7	6.2/7.8	CF/FT	13.6 x 13.6 x 3.1	11.8	14.6	0.4	15.3	15.7	0.6	15.7	14.4	13.0	20
15.7	6.2/7.8	CFL/FTL	13.6 x 13.6 x 5.9	14.6	14.6	0.4	15.3	15.7	0.6	15.7	4.4	13.0	23
19.7	6.2/7.8	G	17.1 x 17.1 x 4.1	12.3	18.1	0.6	19.2	19.6	0.8	19.6	17.9	16.5	24
19.7	6.2/7.8	G	17.1 x 17.1 x 3.6	12.3	18.1	0.6	19.2	19.6	0.8	19.6	17.9	16.5	24
19.7	6.2/7.8	CF	17.1 x 17.1 x 3.5	11.6	18.1	0.6	19.2	19.6	0.8	19.6	17.9	16.5	24
19.7	6.2/7.8	CF/FT	17.1 x 17.1 x 3.1	11.6	18.1	0.6	19.2	19.6	0.8	19.6	17.9	16.5	24
19.7	6.2/7.8	CFL/FTL	17.1 x 17.1 x 5.9	14.4	18.1	0.6	19.2	19.6	0.8	19.6	17.9	16.5	30
23.6	7.8/9.8	G	21.1 x 21.1 x 4.1	12.3	22.1	0.6	23.1	23.5	0.8	23.5	21.9	20.5	31
23.6	7.8/9.8	G	21.1 x 21.1 x 3.6	12.3	22.1	0.6	23.1	23.5	0.8	23.5	21.9	20.5	31
23.6	7.8/9.8	CF	21.1 x 21.1 x 3.5	11.6	22.1	0.6	23.1	23.5	0.8	23.5	21.9	20.5	31
23.6	7.8/9.8	CF/FT	21.1 x 21.1 x 3.1	11.6	22.1	0.6	23.1	23.5	0.8	23.5	21.9	20.5	31
23.6	7.8/9.8	CFL/FTL	21.1 x 21.1 x 5.9	14.4	22.1	0.6	23.1	23.5	0.8	23.5	21.9	20.5	37
23.6	12.3	G	21.1 x 21.1 x 4.1	14.3	22.1	0.6	23.1	23.5	0.8	23.5	21.9	20.5	33
23.6	12.3	G	21.1 x 21.1 x 3.6	14.3	22.1	0.6	23.1	23.5	0.8	23.5	21.9	20.5	33
23.6	12.3	CF	21.1 x 21.1 x 3.5	13.5	22.1	0.6	23.1	23.5	0.8	23.5	21.9	20.5	33
23.6	12.3	CF/FT	21.1 x 21.1 x 3.1	13.5	22.1	0.6	23.1	23.5	0.8	23.5	21.9	20.5	33
23.6	12.3	CFL/FTL	21.1 x 21.1 x 5.9	16.4	22.1	0.6	23.1	23.5	0.8	23.5	21.9	20.5	40
24.6	7.8/9.8	G	22.6 x 22.6 x 4.1	12.5	23.7	0.4	24.3	24.5	0.5	24.5	23.4	22.0	34
24.6	7.8/9.8	G	22.6 x 22.6 x 3.6	12.5	23.7	0.4	24.3	24.5	0.5	24.5	23.4	22.0	34



						Ceiling type 0 with ED			other options**				
1	2	3	4	5	8	9	10	11	9	10	11	12	17
NW	ØD	FA	B × H × T	G1*	M	F	J	K	F	J	K	L	lbs
24.6	7.8/9.8	CF	22.6 x 22.6 x 3.5	11.8	23.7	0.4	24.3	24.5	0.5	24.5	23.4	22.0	34
24.6	7.8/9.8	CF/FT	22.6 x 22.6 x 3.1	11.8	23.7	0.4	24.3	24.5	0.5	24.5	23.4	22.0	34
24.6	7.8/9.8	CFL/FTL	22.6 x 22.6 x 5.9	14.6	23.7	0.4	24.3	24.5	0.5	24.5	23.4	22.0	41
24.6	12.3	G	22.6 x 22.6 x 4.1	14.4	23.7	0.4	24.3	24.5	0.5	24.5	23.4	22.0	37
24.6	12.3	G	22.6 x 22.6 x 3.6	14.4	23.7	0.4	24.3	24.5	0.5	24.5	23.4	22.0	37
24.6	12.3	CF	22.6 x 22.6 x 3.5	13.7	23.7	0.4	24.3	24.5	0.5	24.5	23.4	22.0	37
24.6	12.3	CF/FT	22.6 x 22.6 x 3.1	13.7	23.7	0.4	24.3	24.5	0.5	24.5	23.4	22.0	37
24.6	12.3	CFL/FTL	22.6 x 22.6 x 5.9	16.6	23.7	0.4	24.3	24.5	0.5	24.5	23.4	22.0	44
26.8	9.8	G	24.0 x 24.0 x 4.1	12.3	25.0	0.6	26.1	26.6	0.8	26.6	24.8	23.4	40
26.8	9.8	G	24.0 x 24.0 x 3.6	12.3	25.0	0.6	26.1	26.6	0.8	26.6	24.8	23.4	40
26.8	9.8	CF	24.0 x 24.0 x 3.5	11.6	25.0	0.6	26.1	26.6	0.8	26.6	24.8	23.4	40
26.8	9.8	CF/FT	24.0 x 24.0 x 3.1	11.6	25.0	0.6	26.1	26.6	0.8	26.6	24.8	23.4	40
26.8	9.8	CFL/FTL	24.0 x 24.0 x 5.9	14.4	25.0	0.6	26.1	26.6	0.8	26.6	24.8	23.4	44
26.8	12.3	G	24.0 x 24.0 x 4.1	14.3	25.0	0.6	26.1	26.6	0.8	26.6	24.8	23.4	42
26.8	12.3	G	24.0 x 24.0 x 3.6	14.3	25.0	0.6	26.1	26.6	0.8	26.6	24.8	23.4	42
26.8	12.3	CF	24.0 x 24.0 x 3.5	13.5	25.0	0.6	26.1	26.6	0.8	26.6	24.8	23.4	42
26.8	12.3	CF/FT	24.0 x 24.0 x 3.1	13.5	25.0	0.6	26.1	26.6	0.8	26.6	24.8	23.4	42
26.8	12.3	CFL/FTL	24.0 x 24.0 x 5.9	16.4	25.0	0.6	26.1	26.6	0.8	26.6	24.8	23.4	46
32.5	9.8	G	30.0 x 30.0 x 4.1	12.3	31.0	0.6	32.1	32.5	-	-	-	29.4	55
32.5	9.8	G	30.0 x 30.0 x 3.6	12.3	31.0	0.6	32.1	32.5	-	-	-	29.4	55
32.5	9.8	CF	30.0 x 30.0 x 3.5	11.6	31.0	0.6	32.1	32.5	-	-	-	29.4	55
32.5	9.8	CF/FT	30.0 x 30.0 x 3.1	11.6	31.0	0.6	32.1	32.5	-	-	-	29.4	55
32.5	9.8	CFL/FTL	30.0 x 30.0 x 5.9	14.4	31.0	0.6	32.1	32.5	-	-	-	29.4	62
32.5	12.3	G	24.0 x 24.0 x 4.1	14.3	31.0	0.6	32.1	32.5	-	-	-	29.4	60
32.5	12.3	G	24.0 x 24.0 x 3.6	14.3	31.0	0.6	32.1	32.5	-	-	-	29.4	60
32.5	12.3	CF	24.0 x 24.0 x 3.5	13.5	31.0	0.6	32.1	32.5	-	-	-	29.4	60
32.5	12.3	CF/FT	24.0 x 24.0 x 3.1	13.5	31.0	0.6	32.1	32.5	-	-	-	29.4	60
32.5	12.3	CFL/FTL	24.0 x 24.0 x 5.9	16.4	31.0	0.6	32.1	32.5	-	-	-	29.4	65

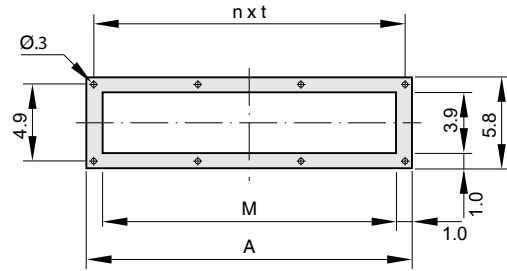
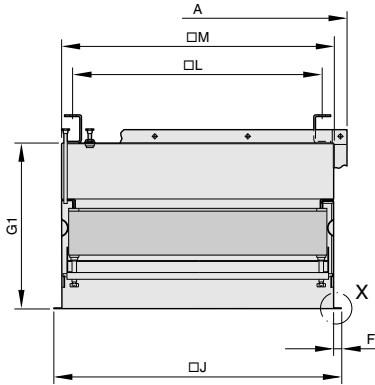
\* Air terminal devices DLQL and PCD: G1, S, G + 1.6 in

\*\* For option CC + ED, K = J (outer dimension diffuser = outer dimension casing flange). For option 0 + ID and CC + ID = dimension according to remaining options (see chapter Ceiling type)

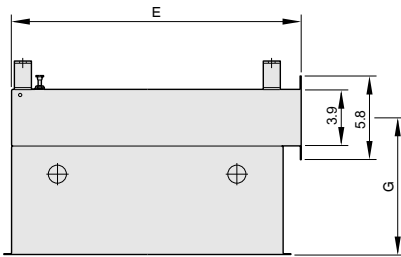
1 Nominal size, 2 Diameter of connection spigot, 3 Filter mounting, 4 Filter size, 5 Casing height, 8 Outer dimension of casing, 9 Flange width, 10 Outer dimension of casing flange, 11 Outer dimension of air diffuser, 12 Hole spacing of top suspension, 17 ~ Weight

TFC-SR

TFC-SR flange dimensions



TFC-SR, side view



Product-specific data for TFC-SR

All weights are net, without packaging

						Ceiling type 0 with ED			other options**							
1	3	4	5	7	8	9	10	11	9	10	11	12	14	15	16	17
NW	FA	B x H x T	G1*	G	M	F	J	K	F	J	K	L	A	n x t	E	lbs
15.7	G	13.6 x 13.6 x 4.1	12.5	10.5	14.6	0.4	15.3	15.7	0.6	15.7	14.4	13.0	16.5	.1 x 5.2	15.8	20
15.7	G	13.6 x 13.6 x 3.6	12.5	10.5	14.6	0.4	15.3	15.7	0.6	15.7	14.4	13.0	16.5	.1 x 5.2	15.8	20
15.7	CF	13.6 x 13.6 x 3.5	11.8	9.8	14.6	0.4	15.3	15.7	0.6	15.7	14.4	13.0	16.5	.1 x 5.2	15.8	20
15.7	CF/FT	13.6 x 13.6 x 3.1	11.8	9.8	14.6	0.4	15.3	15.7	0.6	15.7	14.4	13.0	16.5	.1 x 5.2	15.8	20
15.7	CFL/FTL	13.6 x 13.6 x 5.9	14.6	12.6	14.6	0.4	15.3	15.7	0.6	15.7	14.4	13.0	16.5	.1 x 5.2	15.8	20
19.7	G	17.1 x 17.1 x 4.1	12.3	10.3	18.1	0.6	19.2	19.6	0.8	19.6	17.9	16.5	20.0	.1 x 6.3	19.3	24
19.7	G	17.1 x 17.1 x 3.6	12.3	10.3	18.1	0.6	19.2	19.6	0.8	19.6	17.9	16.5	20.0	.1 x 6.3	19.3	24
19.7	CF	17.1 x 17.1 x 3.5	11.6	9.6	18.1	0.6	19.2	19.6	0.8	19.6	17.9	16.5	20.0	.1 x 6.3	19.3	24
19.7	CF/FT	17.1 x 17.1 x 3.1	11.6	9.6	18.1	0.6	19.2	19.6	0.8	19.6	17.9	16.5	20.0	.1 x 6.3	19.3	24
19.7	CFL/FTL	17.1 x 17.1 x 5.9	14.4	12.4	18.1	0.6	19.2	19.6	0.8	19.6	17.9	16.5	20.0	.1 x 6.3	19.3	24
23.6	G	21.1 x 21.1 x 4.1	12.3	10.3	22.1	0.6	23.1	23.5	0.8	23.5	21.9	20.5	23.9	.2 x 5.7	23.3	31
23.6	G	21.1 x 21.1 x 3.6	12.3	10.3	22.1	0.6	23.1	23.5	0.8	23.5	21.9	20.5	23.9	.2 x 5.7	23.3	31
23.6	CF	21.1 x 21.1 x 3.5	11.6	9.6	22.1	0.6	23.1	23.5	0.8	23.5	21.9	20.5	23.9	.2 x 5.7	23.3	31
23.6	CF/FT	21.1 x 21.1 x 3.1	11.6	9.6	22.1	0.6	23.1	23.5	0.8	23.5	21.9	20.5	23.9	.2 x 5.7	23.3	31
23.6	CFL/FTL	21.1 x 21.1 x 5.9	14.4	12.4	22.1	0.6	23.1	23.5	0.8	23.5	21.9	20.5	23.9	.2 x 5.7	23.3	31
24.6	G	22.6 x 22.6 x 4.1	12.5	10.5	23.7	0.4	24.3	24.5	0.5	24.5	23.4	22.0	25.5	.2 x 6.1	24.8	33
24.6	G	22.6 x 22.6 x 3.6	12.5	10.5	23.7	0.4	24.3	24.5	0.5	24.5	23.4	22.0	25.5	.2 x 6.1	24.8	33
24.6	CF	22.6 x 22.6 x 3.5	11.8	9.8	23.7	0.4	24.3	24.5	0.5	24.5	23.4	22.0	25.5	.2 x 6.1	24.8	33
24.6	CF/FT	22.6 x 22.6 x 3.1	11.8	9.8	23.7	0.4	24.3	24.5	0.5	24.5	23.4	22.0	25.5	.2 x 6.1	24.8	33
24.6	CFL/FTL	22.6 x 22.6 x 5.9	14.6	12.6	23.7	0.4	24.3	24.5	0.5	24.5	23.4	22.0	25.5	.2 x 6.1	24.8	33
26.8	G	24.0x 24.0 x 4.1	12.3	10.3	25.0	0.6	26.1	26.6	0.8	26.6	24.8	23.4	26.9	.2 x 6.5	26.2	39
26.8	G	24.0x 24.0 x 3.6	12.3	10.3	25.0	0.6	26.1	26.6	0.8	26.6	24.8	23.4	26.9	.2 x 6.5	26.2	39
26.8	CF	24.0 x 24.0 x 3.5	11.6	9.6	25.0	0.6	26.1	26.6	0.8	26.6	24.8	23.4	26.9	.2 x 6.5	26.2	39

						Ceiling type 0 with ED			other options**							
1	3	4	5	7	8	9	10	11	9	10	11	12	14	15	16	17
NW	FA	B × H × T	G1*	G	M	F	J	K	F	J	K	L	A	n × t	E	lbs
26.8	CF/FT	24.0x 24.0 x 3.1	11.6	9.6	25.0	0.6	26.1	26.6	0.8	26.6	24.8	23.4	26.9	.2 x 6.5	26.2	39
26.8	CFL/FTL	24.0 x 24.0 x 5.9	14.4	12.4	25.0	0.6	26.1	26.6	0.8	26.6	24.8	23.4	26.9	.2 x 6.5	26.2	39
32.5	G	30.0 x 30.0 x 4.1	12.3	10.3	31.0	0.6	32.1	32.5	-	-	-	29.4	32.9	.2 x 8	32.2	54
32.5	G	30.0 x 30.0 x 3.6	12.3	10.3	31.0	0.6	32.1	32.5	-	-	-	29.4	32.9	.2 x 8	32.2	54
32.5	CF	30.0 x 30.0 x 3.5	11.6	9.6	31.0	0.6	32.1	32.5	-	-	-	29.4	32.9	.2 x 8	32.2	54
32.5	CF/FT	30.0 x 30.0 x 3.1	11.6	9.6	31.0	0.6	32.1	32.5	-	-	-	29.4	32.9	.2 x 8	32.2	54
32.5	CFL/FTL	30.0 x 30.0 x 5.9	14.4	12.3	31.0	0.6	32.1	32.5	-	-	-	29.4	32.9	.2 x 8	32.2	54

\* Air terminal devices DLQL and PCD: G1, S, G + 1.6 in

\*\* For option CC + ED, K = J (outer dimension diffuser = outer dimension casing flange). For option 0 + ID and CC + ID = dimension according to remaining options (see chapter Ceiling type)

1 Nominal size, 3 Filter mounting, 4 Filter size, 5 Casing height, 7 Connection dimension to spigot centre, 8 Outer dimension casing, 9 Flange width, 10 Outer dimension casing flange, 11 Outer dimension diffuser, 12 Hole spacing suspension top, 14 Outer dimension connection flange, 15 Number of screw holes of flanges × Diffuser face style, 16 Overall dimensions over spigot, 17 ~ Weight